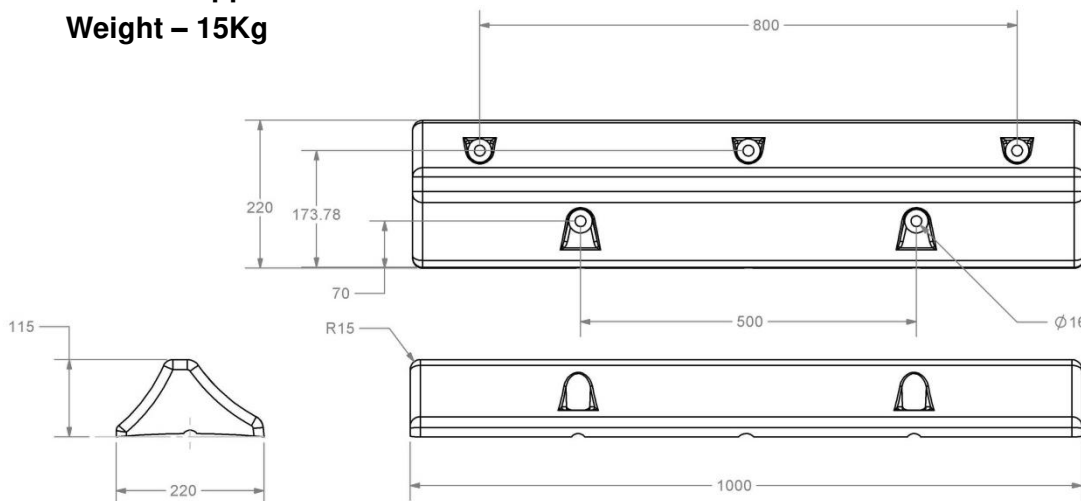


Coach Stopper

This product is designed to protect buildings, fences, footpaths & walkways, requiring no excavation it is bolted down with five fixings. Made from recycled truck tyres, it has an integrated yellow reflective band and is manufactured in the UK.



Model	Height	Width	Length
Coach Stopper	115mm	220mm	1000mm
Weight – 15Kg			



Fixings :- 5 x Galvanised 16.5 ϕ 135mm long parallel shaft twin cutting thread 100Nm Concrete Bolts
No plug required, but can be used with resin if required.

Packaging Details

Dependant of size of order. Either supplied on a standard pallet or if a small quantity is required then they may be wrapped and delivered via courier.

Enquiry Details

Name:
Company Name:
Tel No:
Email address:

Product Details

Coach Stopper

**For a competitive quotation, please fill in and fax back to 01327 300243
or email sales@vistaplan.com**